

# JIBBI 1450

CRAWLER TELESCOPIC BOOM

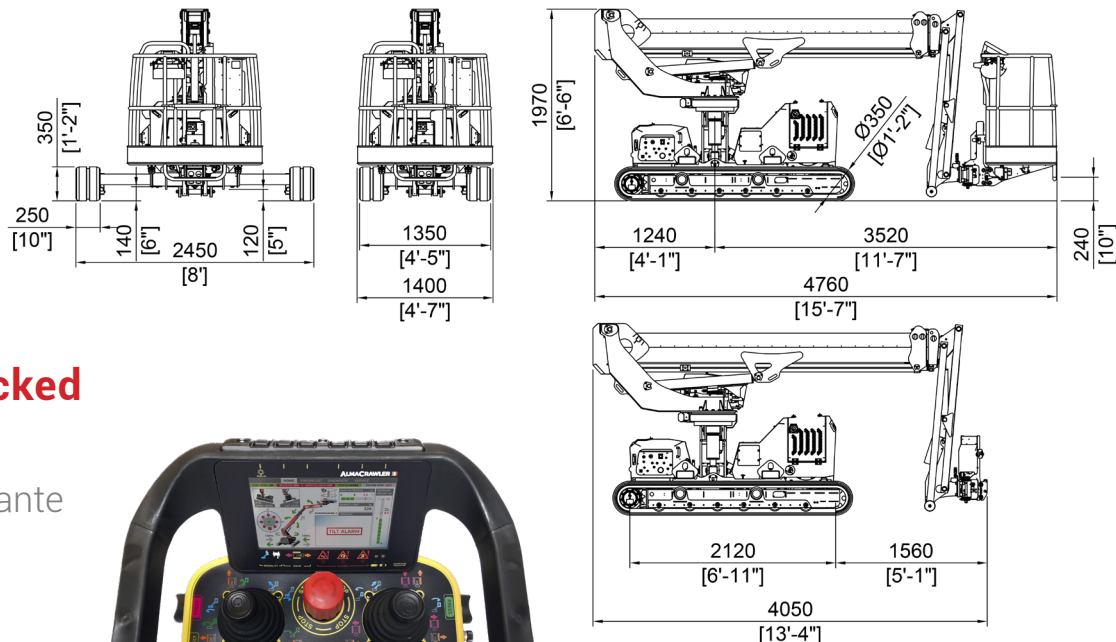


1450 EVO  
1450 LTH



**ALMACRAWLER**

# JIBBI 1450



## Self-levelling tracked telescopic boom

Piattaforma autolivellante cingolata a braccio telescopico



Cable remote console by AUTECH  
Console via cavo by AUTECH

New Dynamic Work  
Performance (DWP by Almac)

Nuovo Dynamic Work  
Performance (DWP by Almac)

## IDS

**INTEGRATED DRIVE SYSTEM**  
SINGLE USE OF THE JOYSTICK  
USO SINGOLO DEL JOYSTICK



## 14,80 m

**WORKING HEIGHT**  
ALTEZZA DI LAVORO

## +/-70°

**BASKET ROTATION**  
ROTAZIONE CESTA

## 220°

**TURRET ROTATION**  
ROTAZIONE RALLA



## DYNAMIC LEVELLING

**15° LONGITUDINAL**  
**15° LATERAL**

## Technical data

	JIBBI 1450	Dati tecnici
Max working height	14,80 m	Altezza massima di lavoro
Max height basket floor	12,80 m	Altezza piano calpestio
Moving height	7,17 m (230kg) - 9,36 m (140kg)	Altezza di traslazione
Max outreach (load 80 kg)	7,60 m	Sbraccio max (car. 80 Kg)
Max outreach (load 140 kg)	6,90 m	Sbraccio max (car. 140 Kg)
Max outreach (load 230 kg)	5,90 m	Sbraccio max (car. 230 Kg)
Rotation angle	+/- 110°	Angolo di rotazione torretta
Basket size	1,40 x 0,70 m	Dimensioni navicella
Basket rotation angle	+/- 70°	Angolo di rotazione navicella
Max basket capacity	230 kg	Portata massima in navicella
Length in stowed position (with detached basket)	4,76 (4,05) m	Lunghezza richiusa (navicella smontata)
Min width in stowed position	1,35 m	Larghezza minima richiusa
Medium working width	1,98 m	Larghezza media di lavoro
Max working width	2,45 m	Larghezza massima di lavoro
Min height in stowed position	1,97 m	Altezza minima richiusa
Longitudinal leveling	+/- 15°	Livellamento longitudinale
Lateral leveling	+/- 15°	Livellamento laterale
Max gradeability	25°	Pendenza massima superabile
Max side gradeability	25°	Pendenza laterale massima
Drive speed (fast)	2.50 km/h (EVO) - 2.00 km/h (LTH)	Velocità traslazione (rapida)
Security speed	0,40 km/h	Velocità sicurezza

## Weights

	EVO	LTH	Pesi
Traffic load	2,41 kN/m <sup>2</sup>	2,41 kN/m <sup>2</sup>	Carico al suolo
Total weight	2806 kg	2870 kg	Peso totale

## Power

	EVO	LTH	Potenza
Engine	3TNM-68 Yanmar Engine (Diesel) 12,5 kW - 17 HP	Lithium battery pack 300Ah-48V DC 4 kW	Motore

## Extras - On Demand

- **Radio remote control**  
Radiocomando
- **Non-marking tracks**  
Cingoli antitraccia
- **Electric pump 220V 2,2kW**  
Elettropompa 220V 2,2kW
- **Winch kit 200kg**  
Kit verricello 200kg
- **Lubricant kit for arctic climate**  
Kit Lubrificante per clima artico
- **Ultrasonic Anti-collision System**  
Sistema Anti-collisione ad Ultrasuoni



# UAS

## ULTRASONIC ANTI-COLLISION SYSTEM

## MYALMAC CONTROL PANEL



Simplify and centralize all after-sales activities management, as well as spare parts purchasing and warranty procedures.

Providing 24/7 access to all technical documents and tools for daily management.

Manage all your ALMAC products in one single online portal.

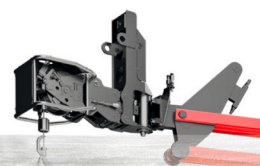
## Basket size

Dimensioni navicella

**Standard**  
**1.4 m**



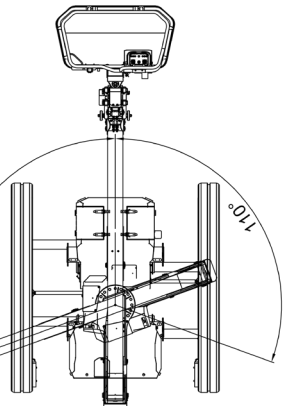
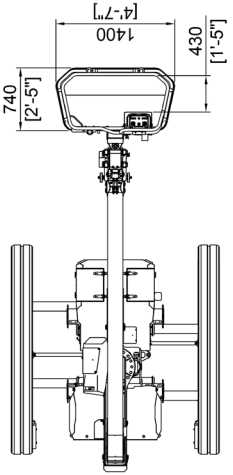
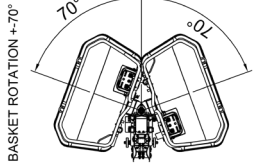
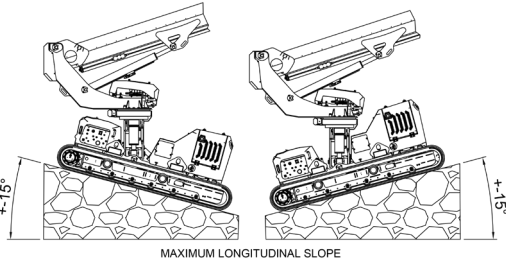
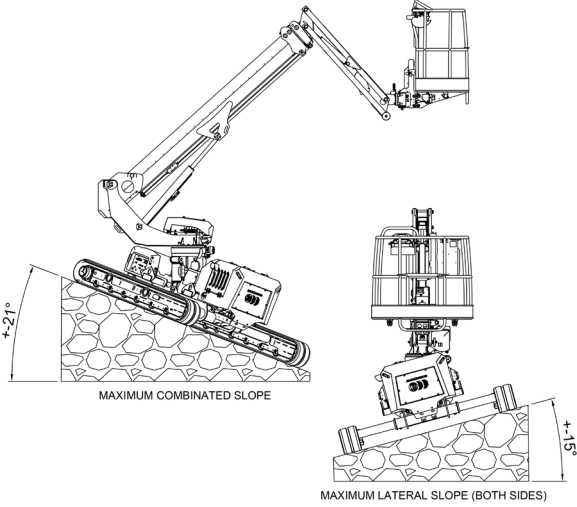
**WINCH KIT**  
**KIT VERRICELLO**



Optional

# ALMACRAWLER

# JIBBI 1450



14.8m

MAX W.H.

230kg

CAPACITY

±15°

LONG. LEVEL.

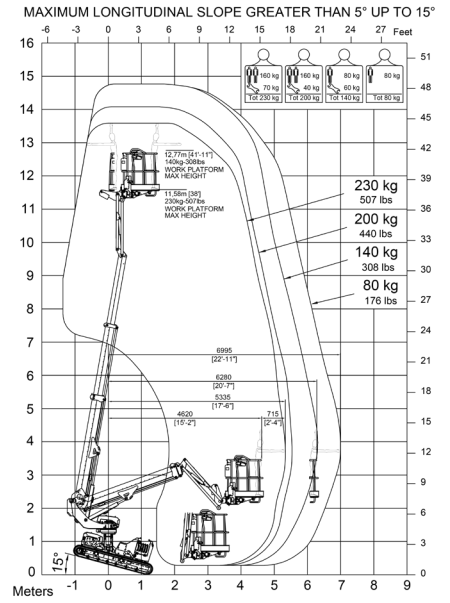
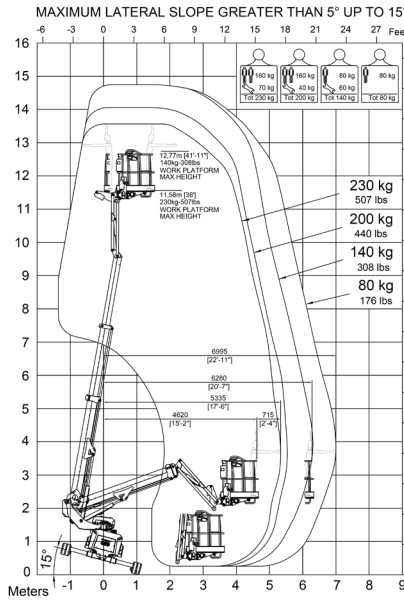
2.5km/h

SPEED

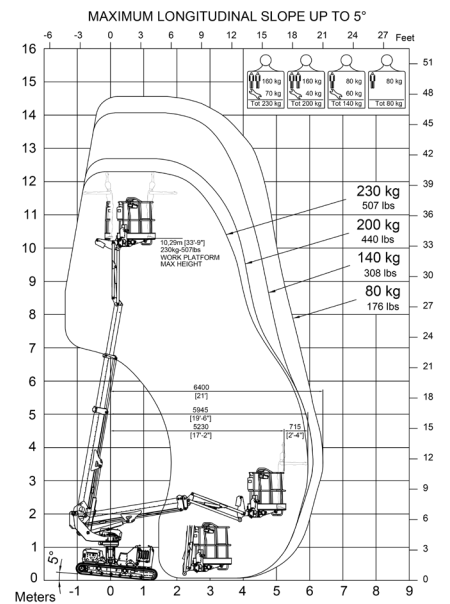
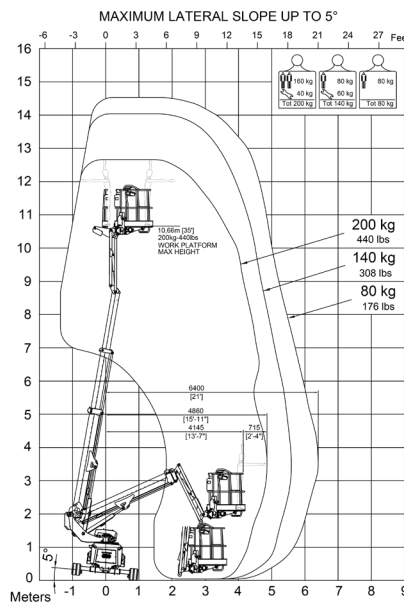
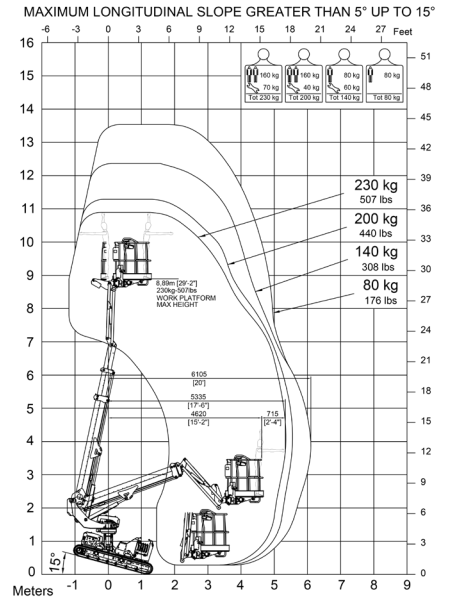
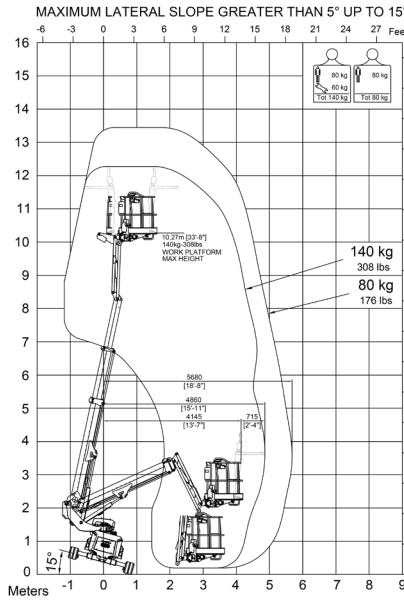
±15°

LATER. LEVEL.

## WORKING DIAGRAMS WITH FULL EXTENDED CARRIAGE (WIDTH 2450mm)



## WORKING DIAGRAMS WITH MIDDLE EXTENDED CARRIAGE (WIDTH 1980mm)



Via Caduti sul Lavoro 1  
46019 Viadana (MN) - ITALY  
+39 0375 83 35 27  
info@almac-italia.com

ALMAC GROUP

Rev.02

ALL DATA REPORTED IN THIS CATALOGUE ARE NOT BINDING. ALMAC SPA RESERVES THE RIGHT TO CHANGE SPECIFICATIONS WITHOUT PRIOR NOTICE.